

Loudspeaker system

General information

Note:

The loudspeakers on the standard "Sound System" are powered directly by the radio head unit.

The loudspeakers on the standard "Premium Sound System" are powered by the Digital Sound System Control Module J525 .

All radio system loudspeaker applications consist of a 3-way system with one bass loudspeaker, one mid-range and one treble loudspeaker respectively in left and right front doors. In vehicle rear, a 2-way system with one bass loudspeaker and one treble loudspeaker respectively are installed in each door.

All loudspeakers are passive loudspeakers.

Front Bass Loudspeakers R21 R23, removing and installing

Note:

Removal of left and right side speakers is the same.

Removing:

Warning!

Before beginning repairs on electrical system

Switch off all electrical consumers.

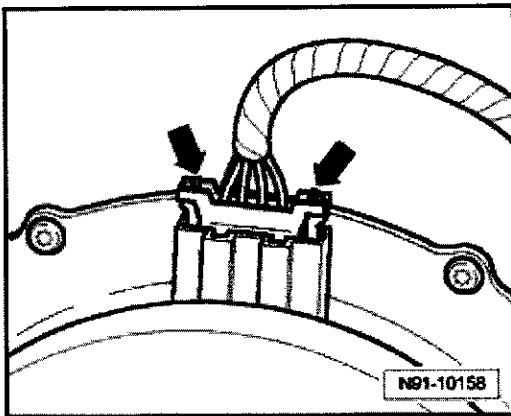
Switch ignition off and remove ignition key.

Remove left or right door trim as applicable,

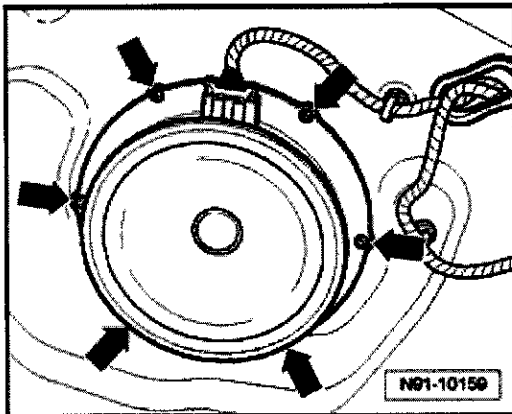
⇒ *Repair Manual, Body Interior, Repair Group 70, Trim/insulation; door trim; front drivers side trim, removing and installing*

or,

⇒ *Repair Manual, Body Interior, Repair Group 70, Trim/insulation; door trim; front passengers side trim, removing and installing*



- Disengage electrical connection lock - **arrows** - and disconnect.



- Drill out rivets - **arrows** - and remove loudspeaker from door opening.

Note:

To prevent corrosion, ensure that all metal particles from drilling are removed from inside the door.

If paint on door frame is damaged during drilling, touch-up immediately.

Installing:

Install in reverse order of removal, noting the following:

- Secure new loudspeaker with special pop rivets of suitable length and diameter ⇒ *Parts Catalog* .

Rear Bass Loudspeakers R15 R17, removing and installing

Note:

Removal of left and right side speakers is the same.

Removing:

Warning!

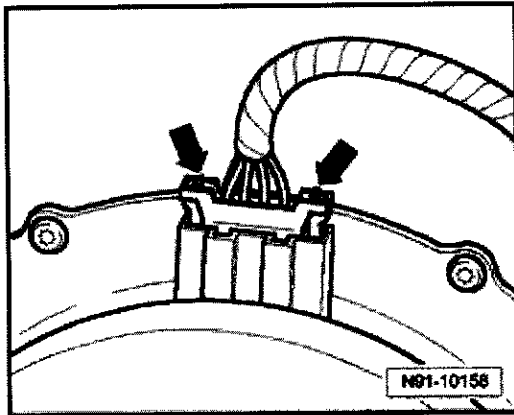
Before beginning repairs on electrical system

Switch off all electrical consumers.

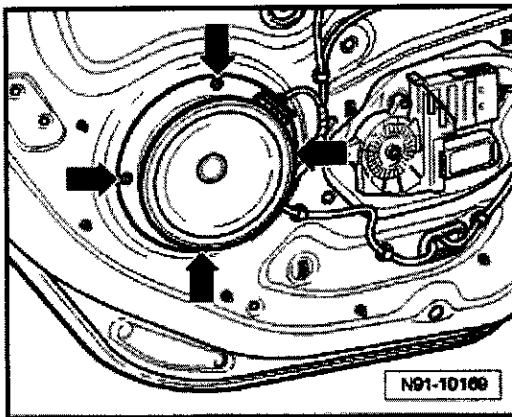
Switch ignition off and remove ignition key.

Remove left or right rear door trim as applicable,

⇒ *Repair Manual, Body Interior, Repair Group 70,
Trim/insulation; door trim; rear door trim, removing and
installing; removing*



- Disengage electrical connection lock - **arrows** - and disconnect.



- Drill out rivets - **arrows** - and remove loudspeaker from door opening.

Note:

To prevent corrosion, ensure that all metal particles from drilling are removed from inside the door.

If paint on door frame is damaged during drilling, touch-up immediately.

Installing:

Instal in reverse order of removal, noting the following:

- Secure new loudspeaker with special pop rivets of suitable length and diameter ⇒ *Parts Catalog* .

**Front Midrange Loudspeakers R103 R104,
removing and installing**

Note:

Midrange loudspeakers are secured to door trim from behind.

Removal of left and right side speakers is the same.

Removing:

Warning!

Before beginning repairs on electrical system

Switch off all electrical consumers.

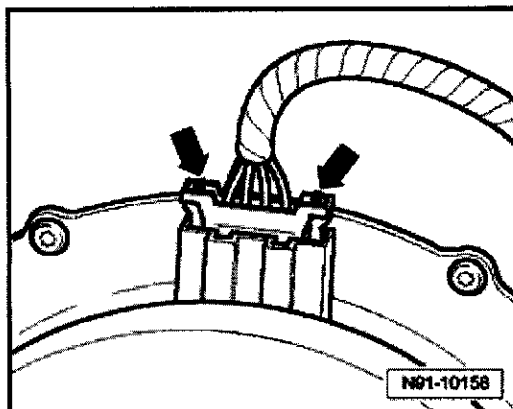
Switch ignition off and remove ignition key.

Remove applicable door trim,

⇒ Repair Manual, Body Interior, Repair Group 70,
Trim/insulation; door trim; front drivers side trim, removing
and installing

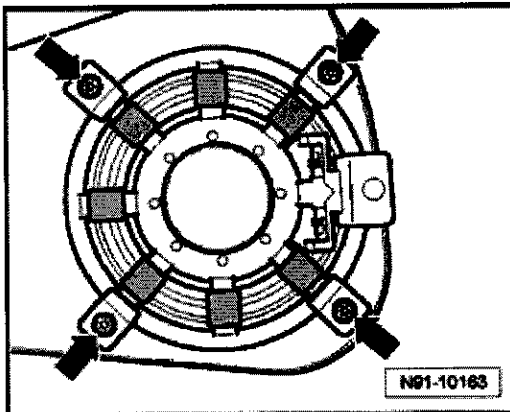
or,

⇒ Repair Manual, Body Interior, Repair Group 70,
Trim/insulation; door trim; front passengers side trim,
removing and installing



- Disengage electrical connection lock - **arrows** - and

disconnect.



- Remove screws - **arrows** - and remove loudspeaker.

Installing:

Install in reverse order of removal.

Front Treble Loudspeakers R20 R22, removing and installing

Note:

Treble loudspeaker are integrated with mirror trim triangle at each front door.

Removal of left and right side speakers is the same.

Removing:

Warning!

Before beginning repairs on electrical system

Switch off all electrical consumers.

Switch ignition off and remove ignition key.

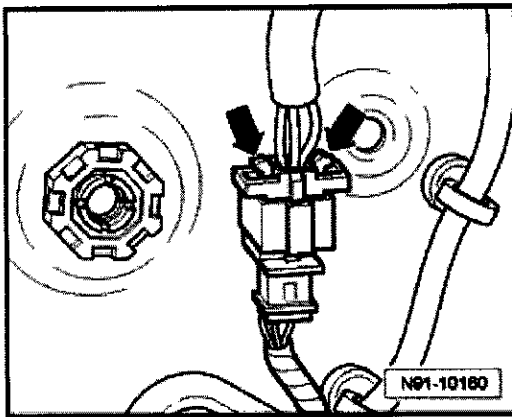
Remove applicable door trim,

*⇒ Repair Manual, Body Interior, Repair Group 70,
Trim/insulation; door trim; front drivers side trim, removing*

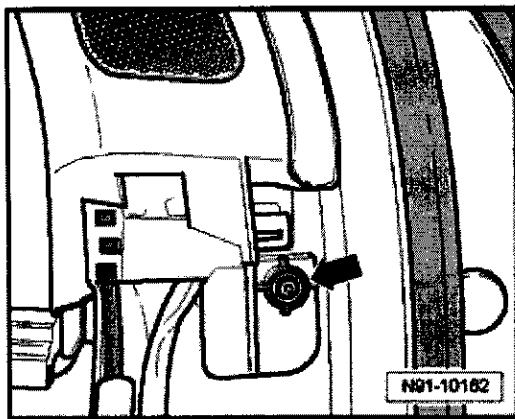
and installing

or,

⇒ Repair Manual, Body Interior, Repair Group 70,
Trim/insulation; door trim; front passengers side trim,
removing and installing

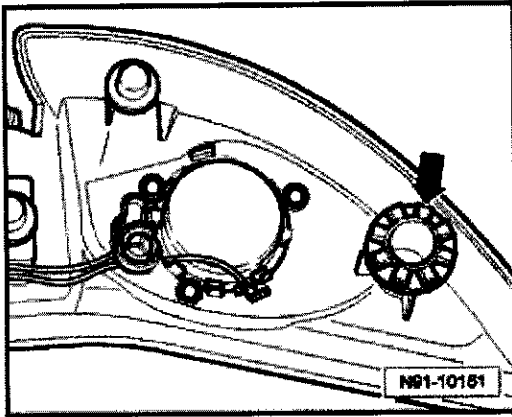


- Disconnect wiring harness electrical connection - **arrows**



- Remove screw - **arrow** - .

- Unclip trim together with loudspeaker.



- If the plastic clip - **arrow** - remains on the trim after removing, then remove it and insert it in door at the installation location designed for it.

Otherwise, mirror trim triangle can no longer be installed correctly.

Loudspeaker is integrated with mirror trim triangle and cannot be serviced separately.

Installing:

Install in reverse order of removal.

Rear Treble Loudspeakers R14 R16, removing and installing

Note:

Treble loudspeakers are secured to door trim from behind.

Treble loudspeaker and loudspeaker panel are integrated.

Removal of left and right side speakers is the same.

Removing:

Warning!

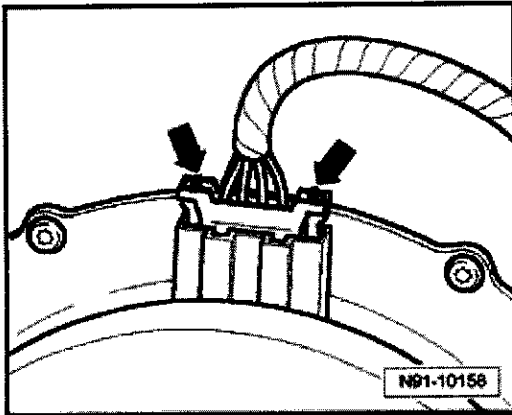
Before beginning repairs on electrical system

Switch off all electrical consumers.

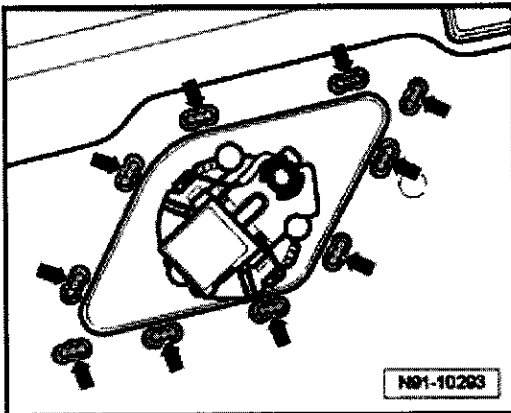
Switch ignition off and remove ignition key.

Remove applicable door trim,

⇒ Repair Manual, Body Interior, Repair Group 70.
Trim/insulation; door trim; removing and installing rear door
trim



- Disengage electrical connection lock - **arrows** - and disconnect.



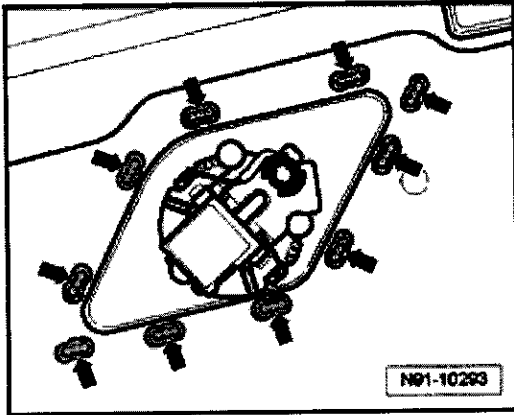
- Cut off heat-sealed plastic clips on loudspeaker panel - **arrows** - .

- Remove panel with loudspeaker together from door trim.

Installing:

- Insert loudspeaker panel together with loudspeaker into door trim.

Volkswagen Jetta 05> - Communication



- Heat-seal the plastic clips using soldering iron - **arrows** - .

Remaining installation in reverse order of removal.